

Industrial **swing gate** operators.

2019

gds
gate drive systems australia

Nice

Swing Gate Operators

GDS 4/6, GDS 4/6LV

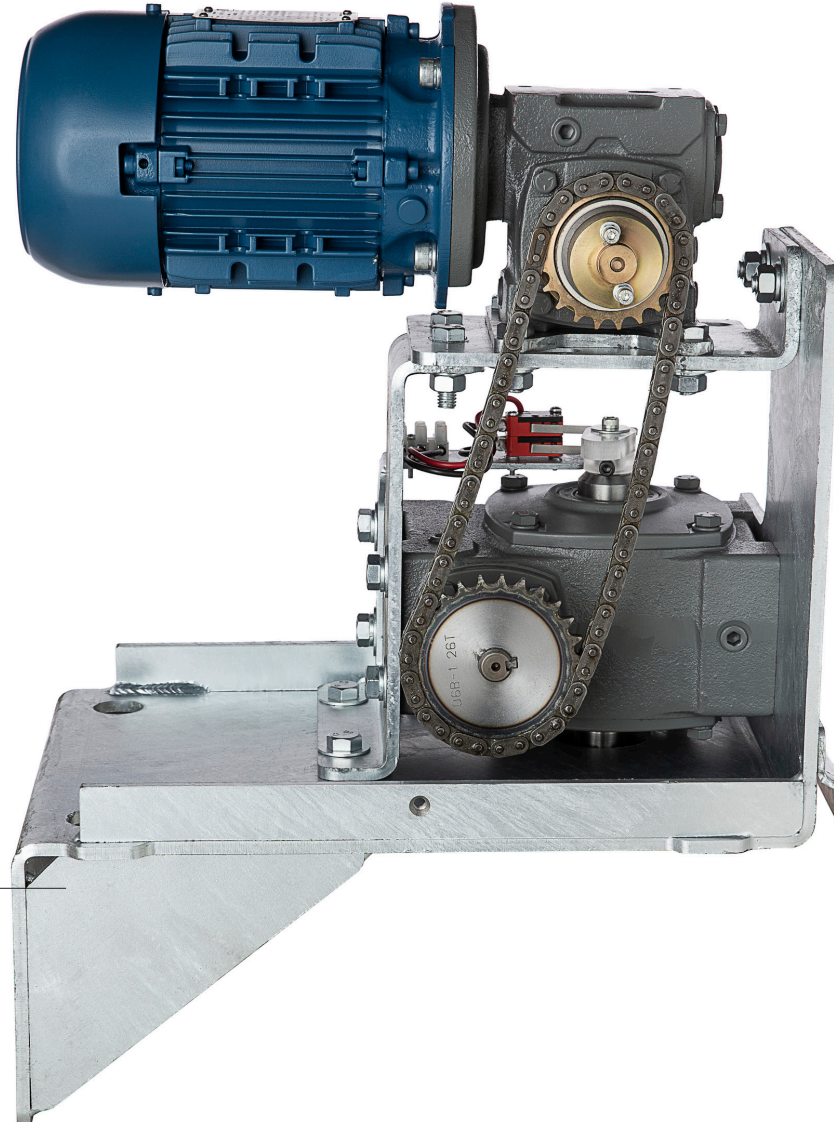
Both LV and 240v swing gate operators have been designed for use in industrial applications such as prisons, electrical switch yards and government buildings where security and reliability and speed are important factors.

Swing Gate Operators

- utilise two industrial grade cast iron gear boxes with torque control
- override quick disconnect facility should mains fail
- the smart controls mounted in an IP65 stainless steel enclosure allows for variable ramp up, ramp down
- AC drive - variable open and close speeds
- DC drive - contactor/one speed
- 100% duty cycle
- cast iron gearbox with idler shaft
- control board has the facility for
 - safety photo electric cells
 - induction loops
 - remote control
 - contacts available for other functionality



316 stainless steel cover, mounting plate and articulated arms



Robust galvanized chassis



316 stainless steel cover



Remotely mounted control panel for ease of installation

Swing Gate Operators

GDS 7

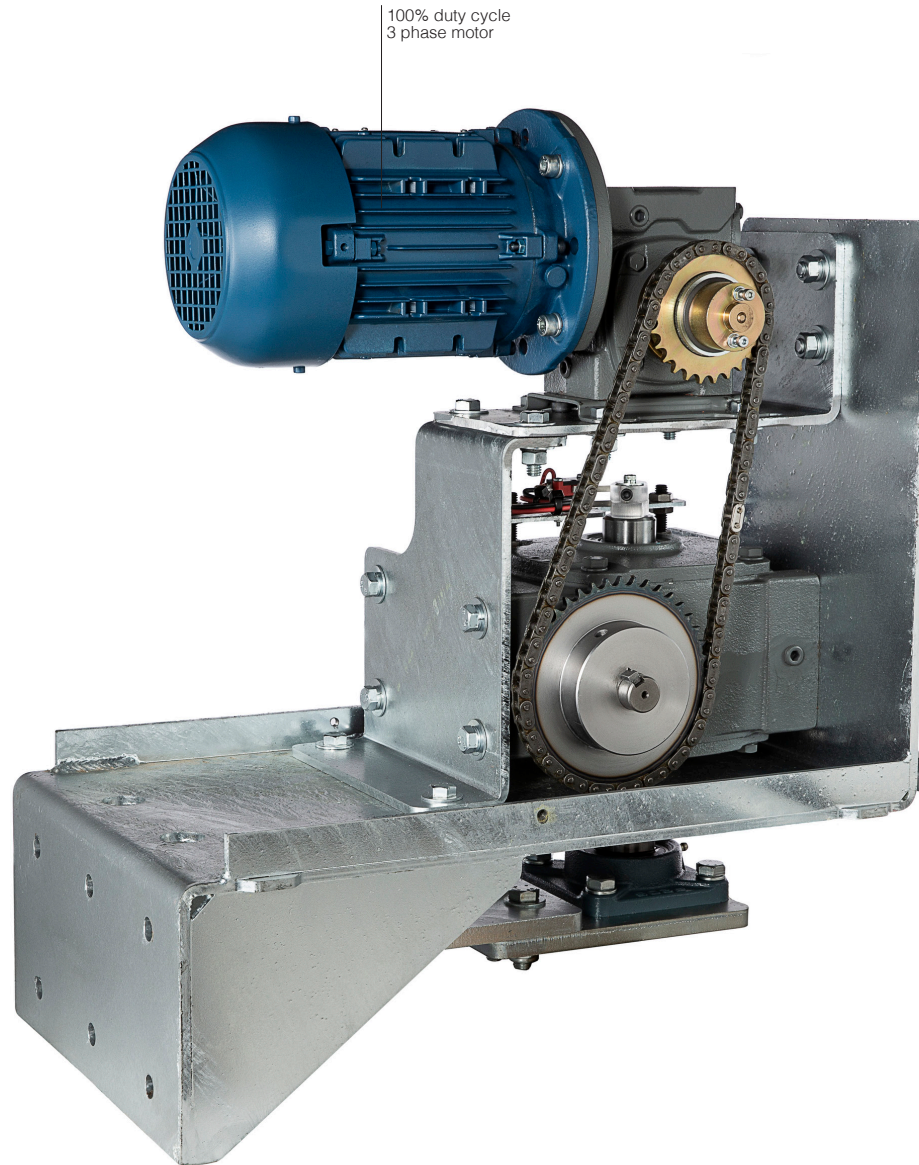
Both LV and 240v swing gate operators have been designed for use in industrial applications such as prisons, electrical switch yards and government buildings where security and reliability and speed are important factors.

Swing Gate Operators

- utilise two industrial grade cast iron gear boxes with torque control
- override quick disconnect facility should mains fail
- the smart controls mounted in an IP65 stainless steel enclosure allows for variable ramp up, ramp down
- AC drive - variable open and close speeds
- DC drive - contactor/one speed
- 100% duty cycle
- cast iron gearbox with idler shaft
- control board has the facility for
 - safety photo electric cells
 - induction loops
 - remote control
 - contacts available for other functionality



316 stainless steel cover, mounting plate and articulated arms



100% duty cycle 3 phase motor



316 stainless steel cover



Remotely mounted control panel for ease of installation

Swing Gate Operators

GDS 8

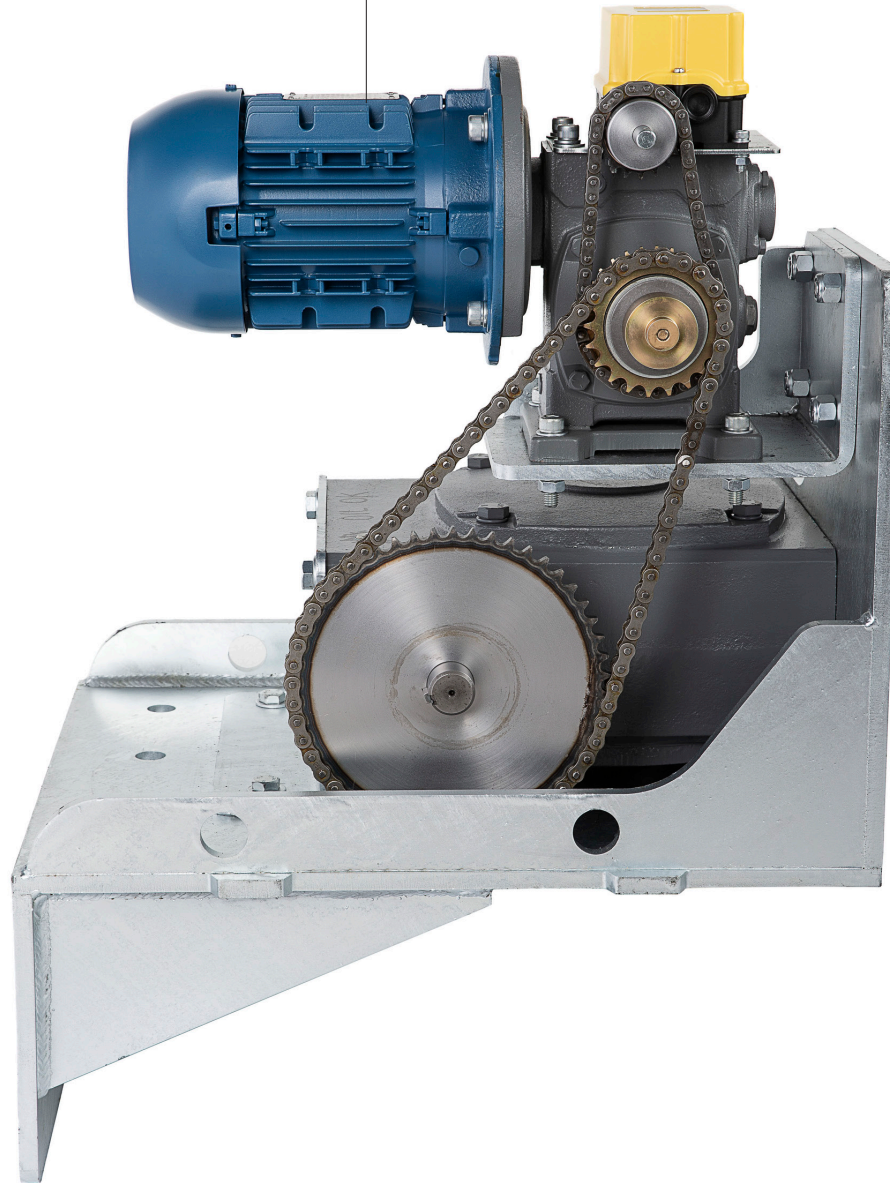
240v swing gate operators have been designed for use in industrial applications such as prisons, electrical switch yards and government buildings where security and reliability and speed are important factors.

Swing Gate Operators

- utilise two industrial grade cast iron gear boxes with torque control
- override quick disconnect facility should mains fail
- the smart controls mounted in an IP65 stainless steel enclosure allows for variable ramp up, ramp down
- 100% duty cycle
- cast iron gearbox with idler shaft
- control board has the facility for
 - safety photo electric cells
 - induction loops
 - remote control
 - contacts available for other functionality



WEG motor .75 Kw



316 stainless steel cover

Remotely mounted control panel for ease of installation



ACCESSORIES



A MAG LOCK
485kg/685kg/700kg
of pulling force
12/24VDC



FT 210 NICE
Optical device, with
wireless transmitter to
secure on movable leaf,
horizontal adjustable
through 210° and
30° vertically for an
automation according
to standards.



F 210 NICE
Synchronised
photocells horizontally
adjustable through
210° and 30°
vertically -simply
perfect installations..



**A PE NIR-50
REFLECTIVE PE**
12-24VDC
24-240VAC



TX FOB43304
4 Channel Pentafob
transmitter hardwareing
and durable.
Application
Use with receiver
boards.



S CCT MCV2
Elsema MCV2 board for
low voltage GDS 4
operators.



S CCT CB6
ATA Cb6 board
A circuit board to suit
a range of 240 volt
applications.



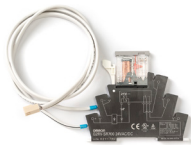
A LD ULTRA DIN
Ultra DIN Loop
Detector 9-30V DC
(12-24vdc/24vac)
Application
Loop Detectors
for sensing traffic
presence.



S POWER SUPPLY
240VAC-12VDC



S .75Kw L510S
Teco inverter drive



S-F/L REL
Flashing light relay for
CB6



S GSM G-2000
Elsema GSM



S WL AMBER
12-24VDC
24-240VAC

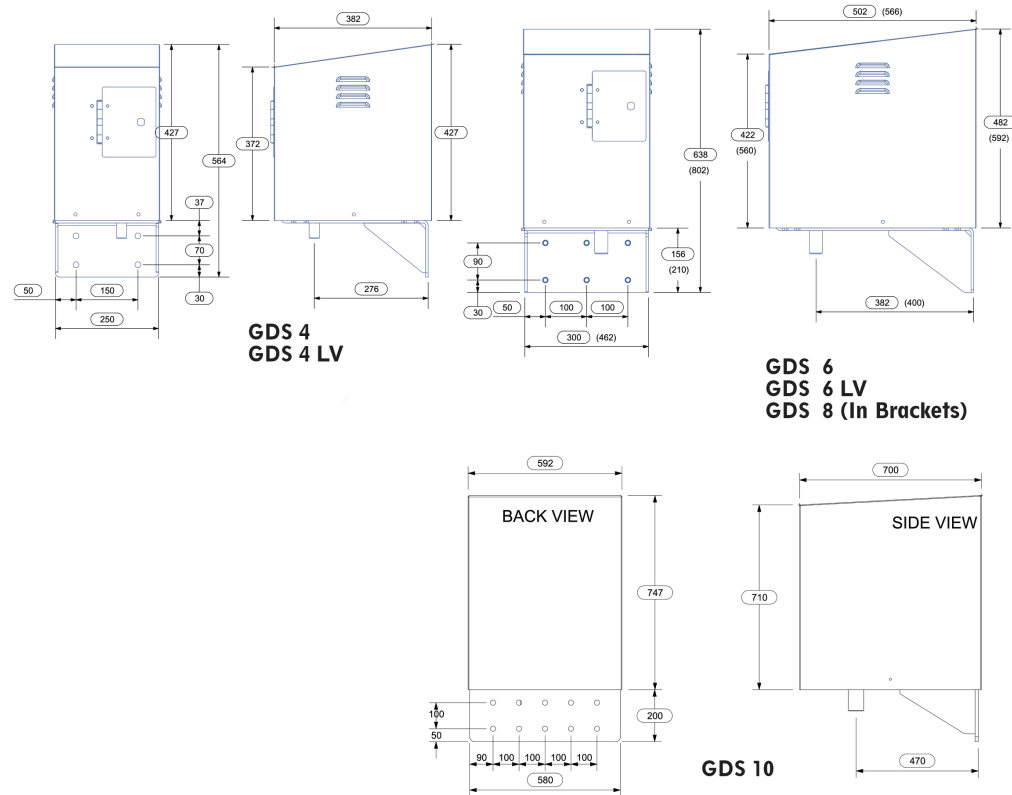


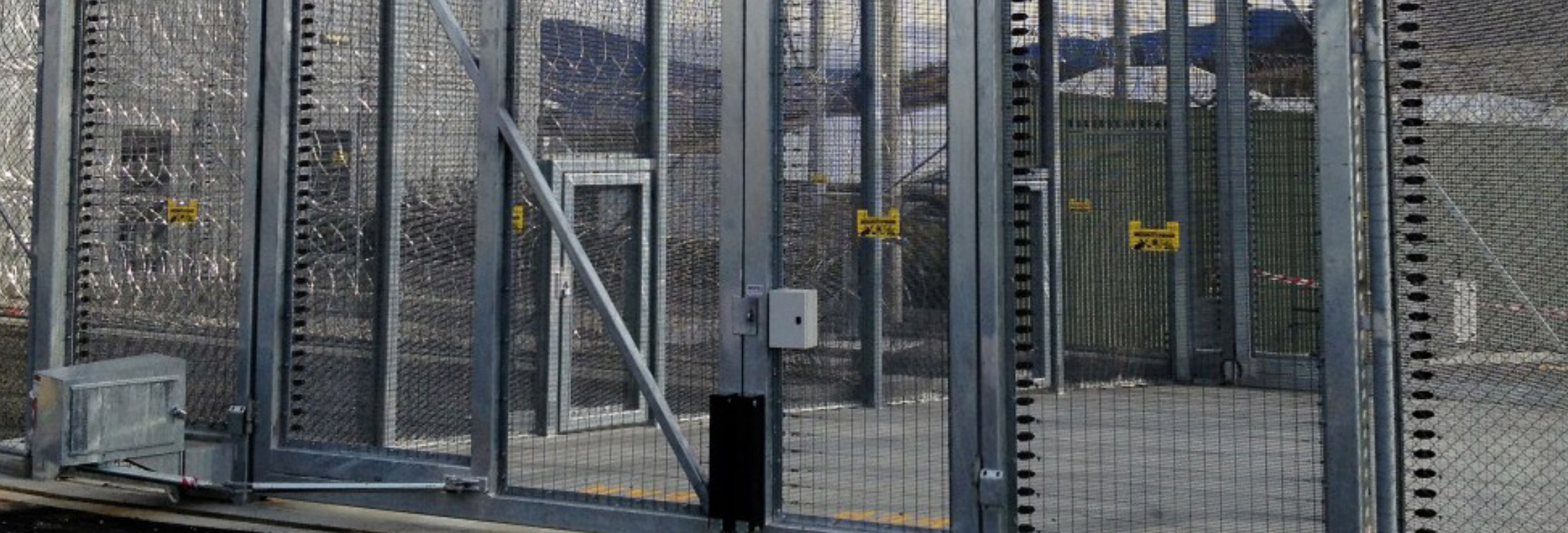
S BUZZER
12-24AC/DC

TECHNICAL SPECIFICATIONS

MODEL	GDS 4 LV	GDS 4	GDS 6 LV	GDS 6	GDS 7	GDS 8
Motor Power	24v 120w	180w	24v 250w	370w	370w	750w
Gate Length	4m leaf approx	4m leaf approx	6m leaf approx	6m leaf approx	7m leaf approx	8m leaf approx
Input Power	240v 24v	240v 10A	240v 24v	240v 10A	240v 10A	240v 10A

DIMENSIONS





Residential, commercial and industrial systems for the automation and control of gates and barriers

Nice residential systems providing integrated management using smart and intuitive interfaces: practical, functional and elegant solutions to help you enjoy your living spaces to the full.

Nice Australia produce industrial quality GDS products designed and manufactured in Australia, for Australian conditions. Gate drive systems are 100% duty cycle with intelligent inverters that allow the installer a vast amount of options.

The products are underpinned by exceptional service and support direct from the Australian manufacturer.

Nice

Nice Australia
8 Bennet Ave
Melrose Park SA 5039
1300 00 NICE
niceforyou.com/au



Nice cares for the environment. Using natural paper it avoids excessive use of raw materials and forest exploitation. Waste is reduced, energy is saved and climate quality is improved.

